



Custom Container Solutions - CCS - a quality manufacturer of custom and standard steel roll off containers, serving the environmental, construction, energy, waste and recycling industries. Check us out at our website today.

www.CustomContainerSolutions.com

Half Round Mud/ Mixing Box

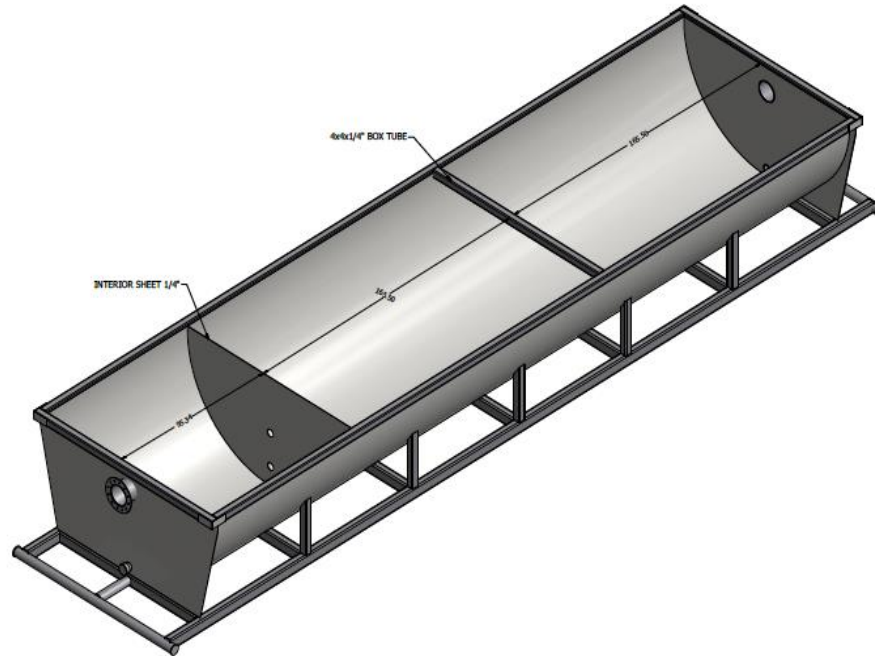


Specifications:

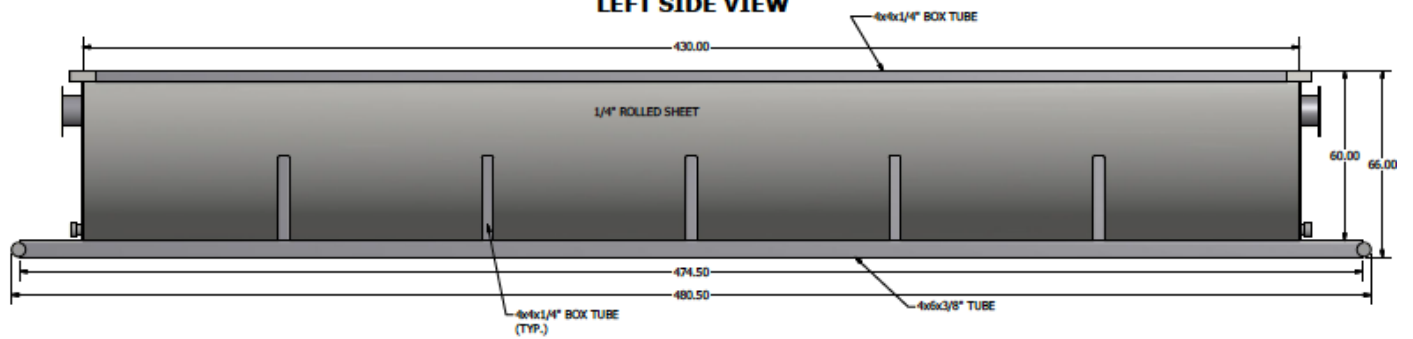
Floor and Sides	1/4" Sheet
Frame/Under Structure	4" x 6" x 3/8" Structural Tube
Side Uprights	4" x 4" x 1/4" Structural Tube
Top Rail	4" x 4" x 1/4" Structural Tube
Drain Pipe	4" Drain Pipe each end
Flange	10" Flange on each end
Paint	PPG Low VOC Acrylic Enamel



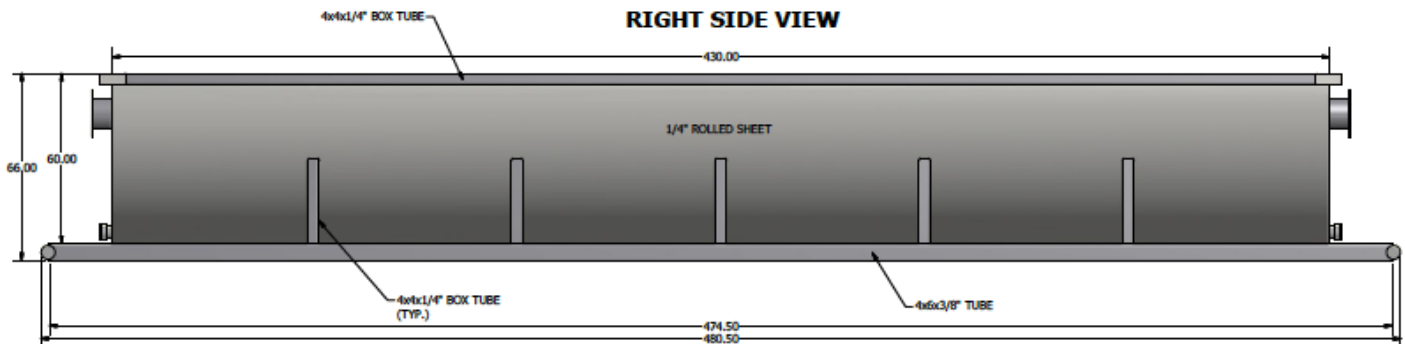
Design Documents and Specifications



LEFT SIDE VIEW



RIGHT SIDE VIEW





CUSTOM CONTAINER SOLUTIONS

Custom Container Solutions - CCS - a quality manufacturer of custom and standard steel roll off containers, serving the environmental, construction, energy, waste and recycling industries. Check us out at our website today.

www.CustomContainerSolutions.com

