



Custom Container Solutions - CCS - a quality manufacturer of custom and standard steel roll off containers, serving the environmental, construction, energy, waste and recycling industries. Check us out at our website today.

www.CustomContainerSolutions.com

Double Rolling Roof Sludge Container



Specifications:

Floor Plate	7 Gauge Sheet (upgrade available)
Cross Members	3" Structural Channel on 12" Centers
Side Rails	3" Structural Channel
Gussets	7 Gauge gusset on every channel
Main Rails	6"x 2"x 1/4" Structural Tubing
Wheels	8"x 10" Heavy Duty Ground Rollers Front & Rear
Bull Noses	1-1/2" Plate
Guide Rollers	4"x 6" Heavy Duty Tubing with grease fittings
Roller Arms	1/2" Plate
Hook Plate	1/2" Plate 12"x 38" Welded Solid Rail to Rail
Cable Hook	1-1/2" High Tensile Plate Inserted through hook plate, locked in and welded fully on both sides
Side Sheets	10 Gauge
Side Posts/Rear Frame	4"x 10"x 7 Gauge Formed
Top Rails	4"x 3"x 11 Gauge Structural Tubing
Tailgate Sheet	10 Gauge
Door Framing	4"x 3" x 11 Gauge Structural Tubing
Reinforcing	4"x 3" x 11 Gauge Structural Tubing
Hinge Plates	1"x 4" Flat Bar with slotted sleeves
Gate System	Dump or Traditional, 1/2" Heavy Duty Self Aligning Lift with 3 Independent Ratchet Binders with chains
Safety Chain	3/8" High Test Chain w/ Receptors on both sides
Roof/ Tailgate Seal	Petroleum Resistant Rubber Gasket Seal
Roof Lids	(2) 3"x 4" Tubing Frame and 10 Gauge Sheet Rolling Tops (58"x 86")
Roof Opening	1 Opening 82" x 109"
Paint	PPG Low VOC Acrylic Enamel

Options Hook lift, Lighter or Heavier Gauge for Floors, Sides, Top Rails & Cross Member Spacing



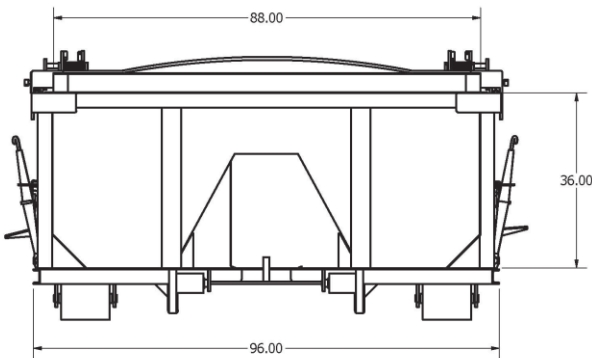


CUSTOM CONTAINER SOLUTIONS

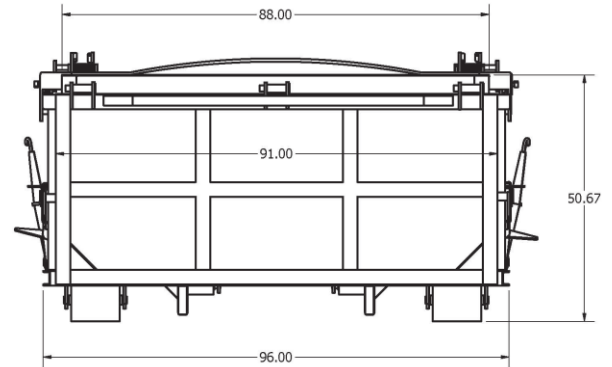
Custom Container Solutions - CCS - a quality manufacturer of custom and standard steel roll off containers, serving the environmental, construction, energy, waste and recycling industries. Check us out at our website today.

www.CustomContainerSolutions.com

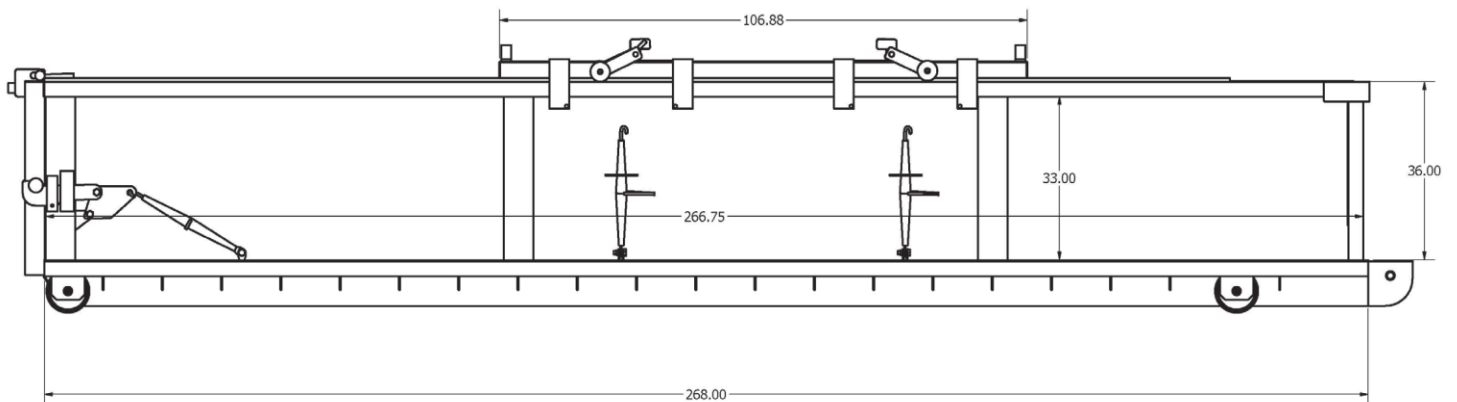
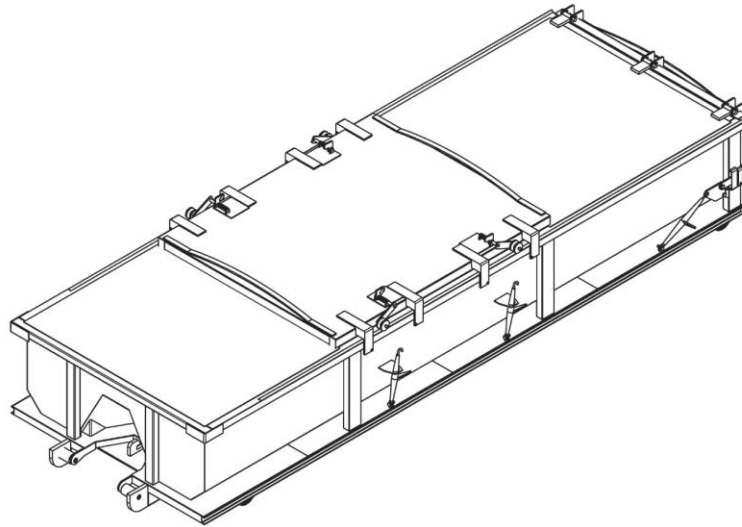
Design Documents and Specifications



FRONT VIEW



REAR VIEW



LEFT SIDE VIEW