



CUSTOM CONTAINER SOLUTIONS

Custom Container Solutions - CCS - a quality manufacturer of custom and standard steel roll off containers, serving the environmental, construction, energy, waste and recycling industries. Check us out at our website today.

[www.CustomContainerSolutions.com](http://www.CustomContainerSolutions.com)

## Flatbed

### Specifications:

Main Rail	6"x 2"x1/4 Main Rails (Upgradeable)
Outside Rail	6"x 2"x1/4 Main Rails (Upgradeable)
Floor Sheet	7 GA (Upgradeable)
Cross Members	3" Structural Channel on 16" Centers
Gussets	1/4" Gusset on every channel
Wheels	8"x 10"x 3/8" Ground Roller with 1.5" Solid Axle and Grease Fittings
Wheel Brackets	1/2" Plate
Ground Rollers	4"x 6" Solid with 1.5" Axle and Grease Fittings
Hook Plate	1/2" Plate 12" x 38" Welded Solid to Rails and Frame
Cable Hook	1.5" High Tensile Plate inserted through hook plate
Stake Pockets	3/8"x 2" Flatbar



### Options

Hook lift or Cable Hoist, Dovetail, Tail Rollers, Wood Floor, Height of Bulkhead, Material upgrades, Recessed "D" Rings, Heavy Duty Wench Plate, Headache Racks and Tool Boxes.



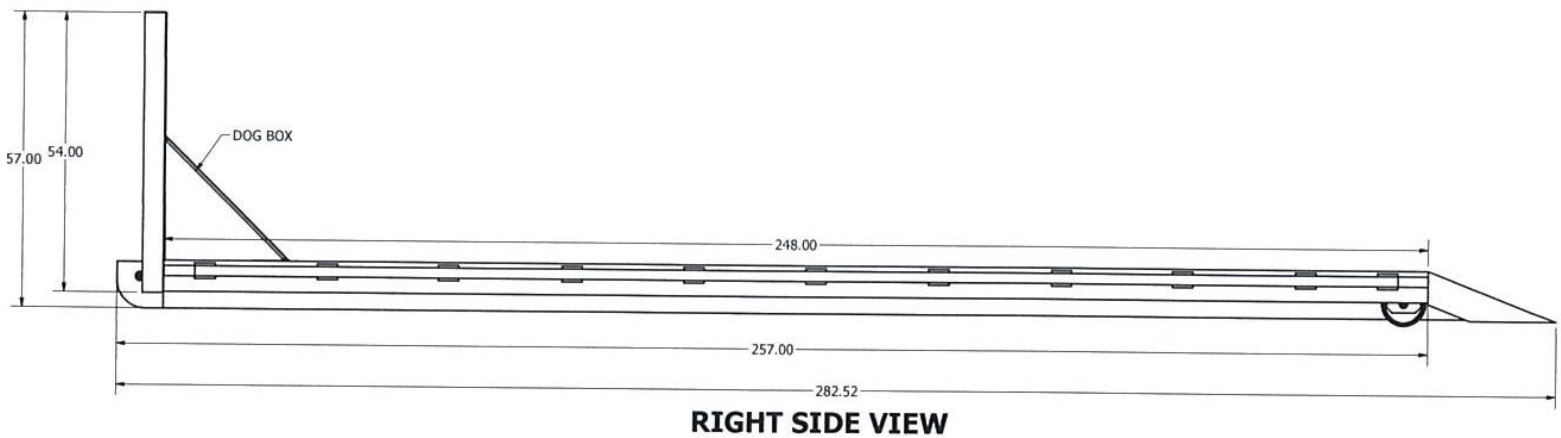
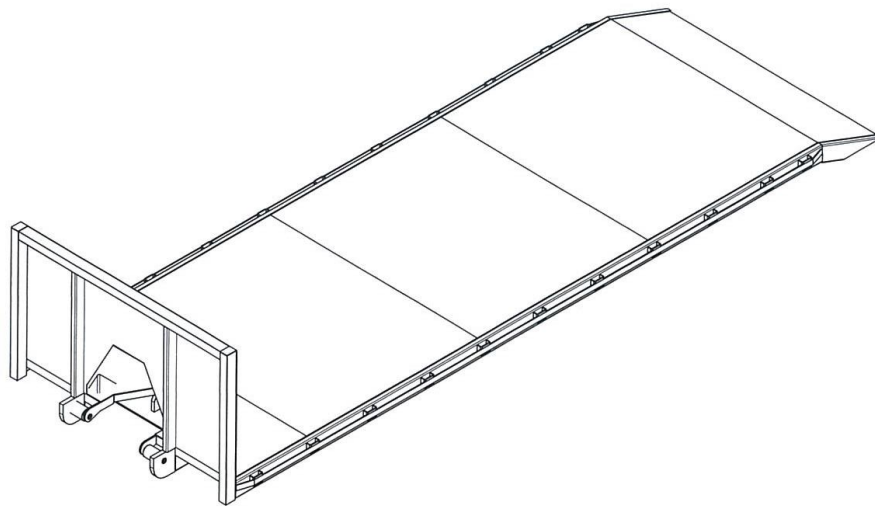


CUSTOM CONTAINER  
SOLUTIONS

Custom Container Solutions - CCS - a quality manufacturer of custom and standard steel roll off containers, serving the environmental, construction, energy, waste and recycling industries. Check us out at our website today.

[www.CustomContainerSolutions.com](http://www.CustomContainerSolutions.com)

## Design Documents and Specifications



**RIGHT SIDE VIEW**