

Vacuum Box



Specifications:

Capacity	20 and 25 Cubic Yard
Dimensions	23'-4" L x 8' W x 6' H
Floor, Side, Door & Roof	1/4" Steel Plate
Horizontal Posts	3"x 8"x 1/4" Formed Tube
Vertical Posts	3"x 6"x 1/4" Formed Tube Gusseted to Floor & Roof
Cross Members	3" Structural Channel on 12" Centers
Side Rails	3" Structural Channel
Gussets	7 Gauge Gussets on every channel
Main Rails	6"x 2"x 1/4" Structural Tubing
Wheels	8"x 10" Heavy Duty Ground Rollers (Front & Rear)
Bull Nose	1-1/2" Plate
Guide Rollers	4"x 6" Heavy Duty Rollers with Grease Fittings
Hook Plate	1/2" Plate 12"x 38" Welded Solid to Rails
Cable Hook Plate	1-1/2" High Tensile Plate fully welded into Hook Plate
Crash Plate	1/4" Crash Plate on each side of Hook
Gate System	1/2" Heavy Duty Self Aligning Vertical Lift with 4 independent Ratchet Binders and Chains
Gate Seal	Petroleum Resistant Rubber Gasket
Other	22" Man Way, 4" Flange on Gate and 8" Flange on Front & Gate
Paint	PPG Low VOC Acrylic Enamel

Options Hook lift & Combo Lifts



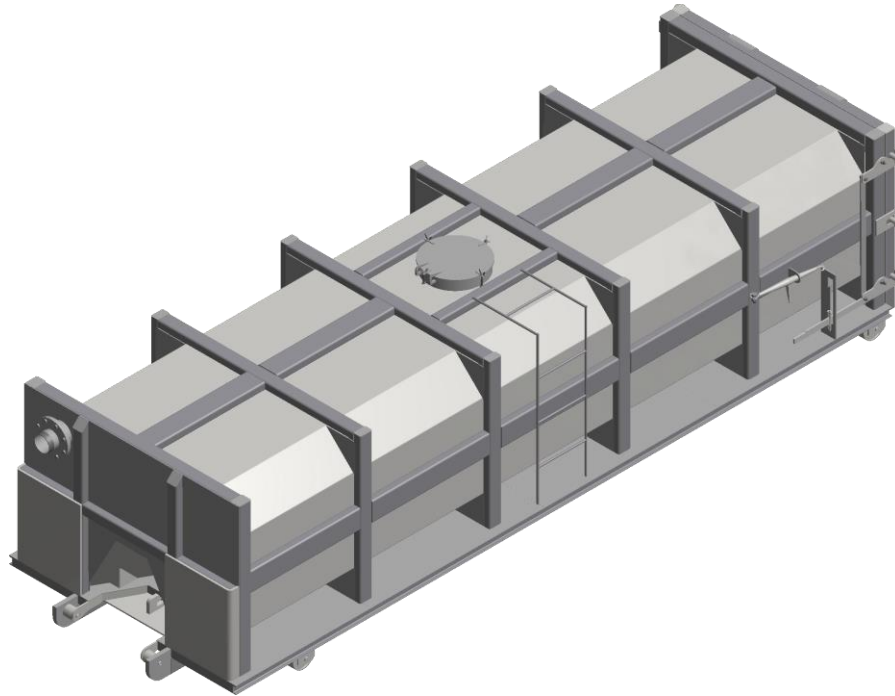


CUSTOM CONTAINER
SOLUTIONS

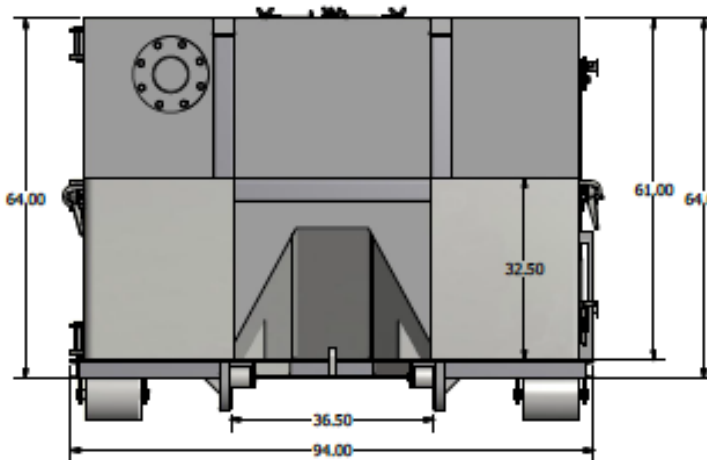
Custom Container Solutions - CCS - a quality manufacturer of custom and standard steel roll off containers, serving the environmental, construction, energy, waste and recycling industries. Check us out at our website today.

www.CustomContainerSolutions.com

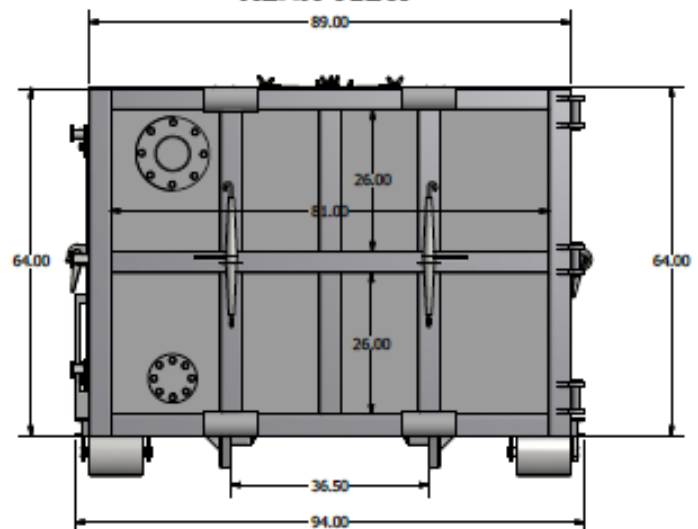
Design Documents and Specifications



FRONT VIEW



REAR VIEW





CUSTOM CONTAINER SOLUTIONS

Custom Container Solutions - CCS - a quality manufacturer of custom and standard steel roll off containers, serving the environmental, construction, energy, waste and recycling industries. Check us out at our website today.

www.CustomContainerSolutions.com

