



Custom Container Solutions - CCS - a quality manufacturer of custom and standard steel roll off containers, serving the environmental, construction, energy, waste and recycling industries. Check us out at our website today.

www.CustomContainerSolutions.com

Tub Style Mud Box



Specifications:

Floor	1/4" Sheet
Cross Members	3" Channel on 12" Centers
Side Rails	3" Channel
Gussets	1/4"x 3"x 3" Plate on Each Cross member
Main Rails	6"x 4" x 3/8" Structural Tube- 54" Spacing
Sides & Ends	1/4" Plates
Side Posts	1/4"x 3" x 6" Formed on 96" Centers
Top Rails	4"x 4" x 3/16" Structural Tube
Drag Bar	4" Schedule 40 Pipe Gusseted to Rails and Ends
Flange	10" Flange
Drain Pipe	4" Drain Pipe & Cap
Paint	PPG Low VOC Acrylic Enamel

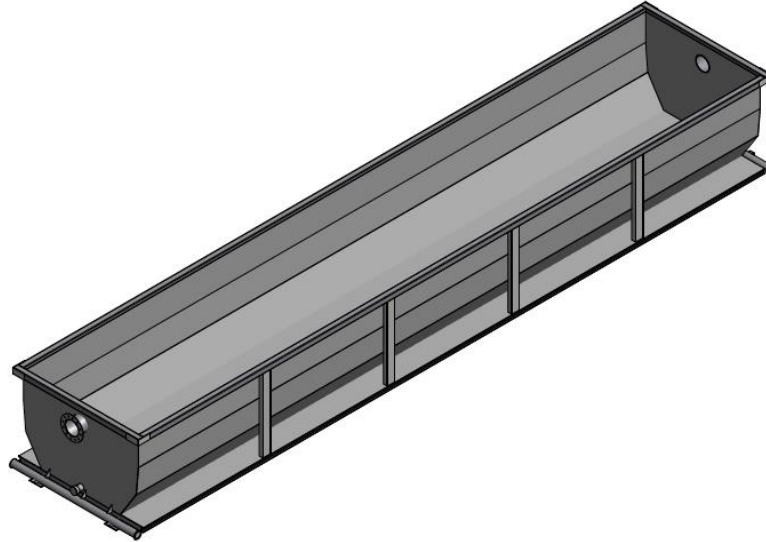


CUSTOM CONTAINER
SOLUTIONS

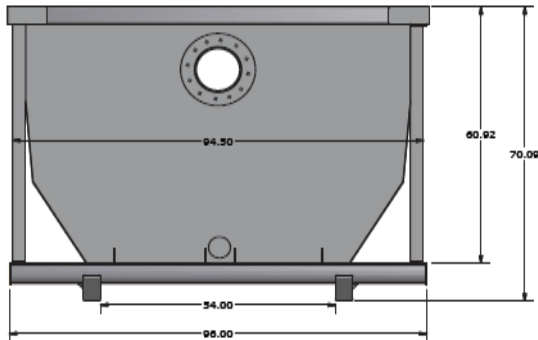
Custom Container Solutions - CCS - a quality manufacturer of custom and standard steel roll off containers, serving the environmental, construction, energy, waste and recycling industries. Check us out at our website today.

www.CustomContainerSolutions.com

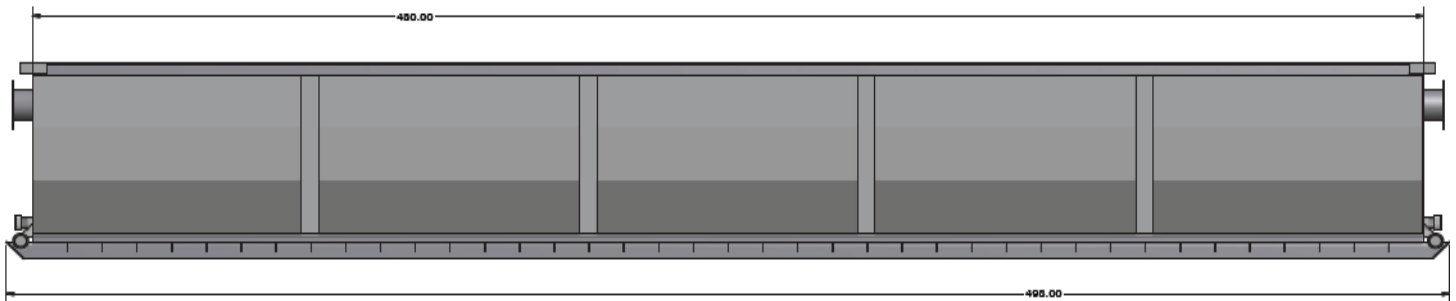
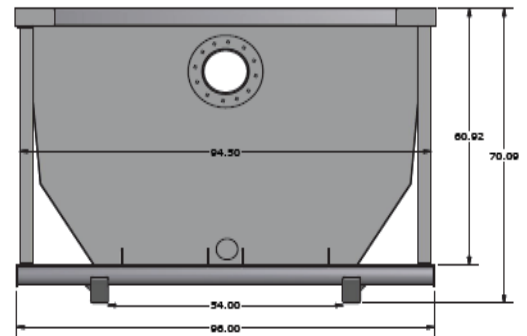
Design Documents and Specifications



FRONT VIEW



REAR VIEW



RIGHT SIDE VIEW